

## Output Specifications:

Relay Output: Form -C, SPDT Relays

Power Rating for Resistive Loads: Two relays at P6 and P7  
250 Vac or 30 Vdc @ 5 A

Two relays at P18  
250 Vac or 30 Vdc @ 3 A

Isolation: Power to Input/Relay Outputs:  
2500 Vac per 1 min. test

Relays to Inputs / Analog, Comm, & Ethernet Outputs:  
2500 Vac per 1 min. test

**WARNING:** These products are not designed for use in, and should not be used for, patient connected applications.

 This device is marked with the international caution symbol. It is important to read the Setup Guide before installing or commissioning this device as it contains important information relating to safety and EMC.

It is the policy of NEWPORT to comply with all worldwide safety and EMC/EMI regulations that apply. NEWPORT is constantly pursuing certification of its products to the European New Approach Directives. NEWPORT will add the CE mark to every appropriate device upon certification.

The information contained in this document is believed to be correct, but NEWPORT Electronics, Inc. accepts no liability for any errors it contains, and reserves the right to alter specifications without notice.

### TRADEMARK NOTICE:

  **NEWPORT**, **NEWPORT**, [newportUS.com](http://newportUS.com),  **INFINITY**, and the "Meter Bezel Design" are trademarks of NEWPORT Electronics, Inc.

### Warranty/Disclaimer

NEWPORT Electronics, Inc. warrants this unit to be free of defects in materials and workmanship for a period of **one (1) year** from the date of purchase. In addition to NEWPORT's standard warranty period, NEWPORT Electronics will extend the warranty period for **four (4) additional years** if the warranty card enclosed with each instrument is returned to NEWPORT.

If the unit malfunctions, it must be returned to the factory for evaluation. NEWPORT's Customer Service Department will issue an Authorized Return (AR) number immediately upon phone or written request. Upon examination by NEWPORT, if the unit is found to be defective, it will be repaired or replaced at no charge. NEWPORT's WARRANTY does not apply to defects resulting from any action of the purchaser, including but not limited to mishandling, improper interfacing, operation outside of design limits, improper repair, or unauthorized modification. This WARRANTY is VOID if the unit shows evidence of having been tampered with or shows evidence of having been damaged as a result of excessive corrosion; or current, heat, moisture or vibration; improper specification; misapplication; misuse or other operating conditions outside of NEWPORT's control. Components which wear are not warranted, including but not limited to contact points, fuses, and triacs.

NEWPORT is pleased to offer suggestions on the use of its various products. However, NEWPORT neither assumes responsibility for any omissions or errors nor assumes liability for any damages that result from the use of its products in accordance with information provided by NEWPORT, either verbal or written. NEWPORT warrants only that the parts manufactured by it will be as specified and free of defects.

**NEWPORT MAKES NO OTHER WARRANTIES OR REPRESENTATIONS OF ANY KIND WHATSOEVER, EXPRESS OR IMPLIED, EXCEPT THAT OF TITLE, AND ALL IMPLIED WARRANTIES INCLUDING ANY WARRANTY OF MERCHANTABILITY AND FITNESS FOR A PARTICULAR PURPOSE ARE HEREBY DISCLAIMED.**

**LIMITATION OF LIABILITY:** The remedies of purchaser set forth herein are exclusive, and the total liability of NEWPORT with respect to this order, whether based on contract, warranty, negligence, indemnification, strict liability or otherwise, shall not exceed the purchase price of the component upon which liability is based. In no event shall NEWPORT be liable for consequential, incidental or special damages.

**CONDITIONS:** Equipment sold by NEWPORT is not intended to be used, nor shall it be used: (1) as a "Basic Component" under 10 CFR 21 (NRC), used in or with any nuclear installation or activity; or (2) in medical applications or used on humans. Should any Product(s) be used in or with any nuclear installation or activity, medical application, or used on humans, or misused in any way, NEWPORT assumes no responsibility as set forth in our basic WARRANTY/DISCLAIMER language, and, additionally purchaser will indemnify NEWPORT and hold NEWPORT harmless from any liability or damage whatsoever arising out of the use of the Product(s) in such a manner.

### Return Requests/Inquiries

Direct all warranty and repair requests/inquiries to the NEWPORT Customer Service Department. BEFORE RETURNING ANY PRODUCT(S) TO NEWPORT, PURCHASER MUST OBTAIN AN AUTHORIZED RETURN (AR) NUMBER FROM NEWPORT'S CUSTOMER SERVICE DEPARTMENT (IN ORDER TO AVOID PROCESSING DELAYS). The assigned AR number should then be marked on the outside of the return package and on any correspondence.

The purchaser is responsible for shipping charges, freight, insurance and proper packaging to prevent breakage in transit.

FOR **WARRANTY** RETURNS, please have the following information available BEFORE contacting NEWPORT:

1. P.O. number under which the product was PURCHASED.
2. Model and serial number of the product under warranty, and
3. Repair instructions and/or specific problems relative to the product.

NEWPORT's policy is to make running changes, not model changes, whenever an improvement is possible. This affords our customers the latest in technology and engineering.

© Copyright 2002 NEWPORT Electronics, Inc. All rights reserved.

This document may not be copied, photocopied, reproduced, translated, or reduced to any electronic medium or machine-readable form, in whole or in part, without prior written consent of NEWPORT Electronics, Inc.

PATENT NOTICE: This product is covered by one or more of the following patents: U.S. Pat. No. Des. 336,895; 5,274,577; 6,243,021 / CANADA 2052599; 2052600 / ITALY 1249456; 1250938 / FRANCE BREVET No. 91 12756 / SPAIN 2039150; 2048066 / UK PATENT No. GB2 249 837; GB2 248 954 / GERMANY DE 41 34398 C2. OTHER INTERNATIONAL PATENTS PENDING.

M2547/N/0802

## OPERATION MANUAL



**BEYOND INFINITY<sup>®</sup>**  
THE NEW STANDARD FOR QUALITY

## INF-B 4 Relay Output Option

For immediate technical or application assistance please call:

**1-800-6397678<sup>®</sup>**  
**1-800-NEWPORT**

Newport Electronics, Inc.  
2229 South Yale Street • Santa Ana, CA • 92704 • U.S.A.  
TEL: (714) 540-4914 • FAX: (714) 546-3022  
Toll Free: 1-800-639-7678 • <http://www.newportUS.com> • e-mail: [info@newportUS.com](mailto:info@newportUS.com)  
ISO 9001 Certified

Newport Technologies, Inc.  
976 Berger • Laval (Quebec) • H7L 5A1 • Canada  
TEL: (514) 335-3183 • FAX: (514) 856-6886  
Toll Free: 1-800-639-7678 • <http://www.newport.ca> • e-mail: [sales@newport.ca](mailto:sales@newport.ca)

Newport Electronics, Ltd.  
One Omega Drive • River Bend Technology Centre  
Northbank, Irlam • Manchester M44 5BD • United Kingdom  
Tel: +44 161 777 6611 • FAX: +44 161 777 6622  
Toll Free: 0800 488 488 • <http://www.newportuk.co.uk> • e-mail: [sales@newportuk.co.uk](mailto:sales@newportuk.co.uk)

Newport Electronics B.V.  
Postbus 8034 • 1180 LA Amstelveen • The Netherlands  
TEL: +31 20 3472121 • FAX: +31 20 6434643  
Toll Free: 0800 0993344 • <http://www.newport.nl> • e-mail: [sales@newport.nl](mailto:sales@newport.nl)

Newport Electronics spol s.r.o.  
Rudé armády 1868, 733 01 Karviná 8 • Czech Republic  
TEL: +420 69 6311899 • FAX: +420 69 6311114  
Toll Free: 0800-1-66342 • <http://www.newport.cz> • e-mail: [sales@newport.cz](mailto:sales@newport.cz)

Newport Electronics GmbH  
Daimlerstrasse 26 • D-75392 Deckenpfronn • Germany  
TEL: 49 7056 9398-0 • FAX: 49 7056 9398-29  
Toll Free: 0800 / 6397678 • <http://www.newport.de> • e-mail: [sales@newport.de](mailto:sales@newport.de)

Newport Electronique S.A.R.L.  
11, rue Jacques Cartier • 78280 Guyancourt • France  
TEL: +33 1 61 37 29 00 • FAX: +33 1 30 57 54 27  
Toll Free: 0800 466 342 • <http://www.newport.fr> • e-mail: [sales@newport.fr](mailto:sales@newport.fr)

Mexico and Latin America  
TEL: 001-800-826-6342 • FAX: 001 (203) 359-7807  
En Español: 001 (203) 359-7803

**NEWPORTnet<sup>™</sup> On-Line Service** [www.newportUS.com](http://www.newportUS.com) **Internet e-mail** [info@newportUS.com](mailto:info@newportUS.com)

 **NEWPORT** Electronics, Inc.

## Start Here

### FEATURES OVERVIEW:

The 4 Relay Output Board provides four isolated Form-C electro-mechanical relays that enable setpoint-triggered switching to an external device. Each relay can accommodate a single setpoint. 200 W, 2500pf snubbers are provided for each normally open contact.

### BOARD INSTALLATION:

To install optional Relay Output printed circuit board:

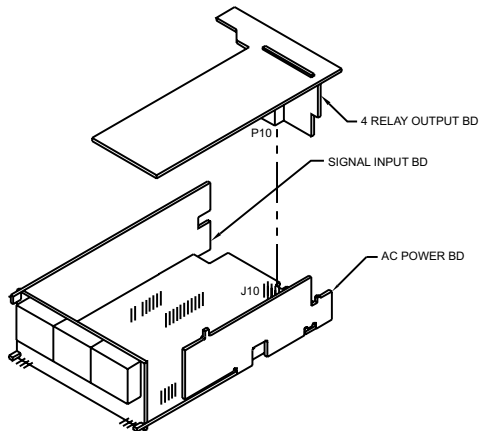
1. Refer to "Reveal the Main Board" in Main Operator's Manual **Section 5.2**, Disassembly.
2. Using figure below as a reference, insert relay option board(s) into J10 connector on the main board.



**WARNING:** To avoid electrical shock be sure to disconnect the unit from its power supply. After you have opened the meter you are ready to install option card.

To install:

1. Hold relay board with components facing the main board.
2. Position the P10 connector to mate with the J10 connector on the main board (at rear of unit).
3. Push the board downward, guiding relay board edges through the rear panel guides until it rests on the upper rear panel and the main board.

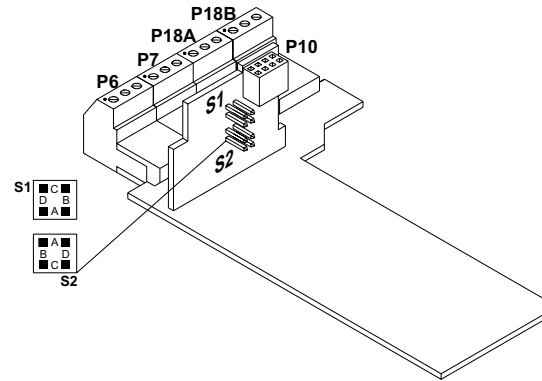


**Figure 1** Option Board Installation

## 2

### JUMPER CONFIGURATION:

The figure below shows the locations of the 4 Relay Output Board jumpers S1 and S2, the P10 socket connecting the board to the Main Board, and the output plugs P6, P7, P18A and P18B.



**Figure 2** 4 Relay Board Jumpers and Plugs

The table below shows which jumpers are assigned to each relay. Defaults have asterisks.

**Table 1** 4 Relay Board Jumpers

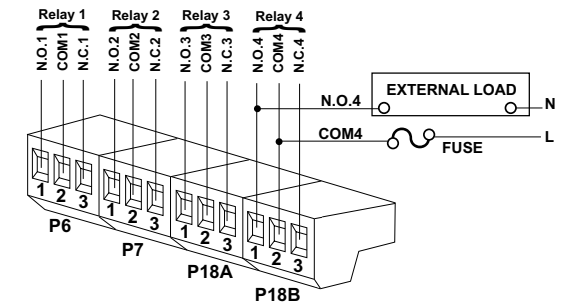
S1	S2	FUNCTION
A, C*	A, C*	Assigns SP1 to Relay 1 (P6) Assigns SP2 to Relay 2 (P7) Assigns SP3 to Relay 3 (P18A) Assigns SP4 to Relay 4 (P18B)
B, D	A, C	Assigns SP1 to Relay 3 (P18A) Assigns SP2 to Relay 4 (P18B) Assigns SP3 to Relay 1 (P6) Assigns SP4 to Relay 4 (P18B)
B, D	B, D	Assigns SP1 to Relay 3 (P18A) Assigns SP2 to Relay 4 (P18B) Assigns SP3 to Relay 1 (P6) Assigns SP4 to Relay 2 (P7)
A, C	B, D	Assigns SP1 to Relay 1 (P6) Assigns SP2 to Relay 4 (P18B) Assigns SP3 to Relay 3 (P18A) Assigns SP4 to Relay 2 (P7)

## 3

### WIRING CONNECTIONS:



**WARNING:** Do not connect ac power meter until you have completed all input and output connections. Failure to do so may result in injury! This device must only be installed electrically by a specially trained electrician with corresponding qualifications.



**Figure 3** 4 Relay Output Board Wiring Connections

**Table 2** Pin Assignments for the P6, P7 and P18

CONNECTOR	PIN	FUNCTION
P6 (Relay 1 Connection)	1	NO1 (Normally Open)
	2	Common 1
	3	NC1 (Normally Closed)
P7 (Relay 2 Connection)	1	NO2 (Normally Open)
	2	Common 2
	3	NC2 (Normally Closed)
P18A (Relay 3 Connection)	1	NO3 (Normally Open)
	2	Common 3
	3	NC3 (Normally Closed)
P18B (Relay 4 Connection)	1	NO4 (Normally Open)
	2	Common 4
	3	NC4 (Normally Closed)