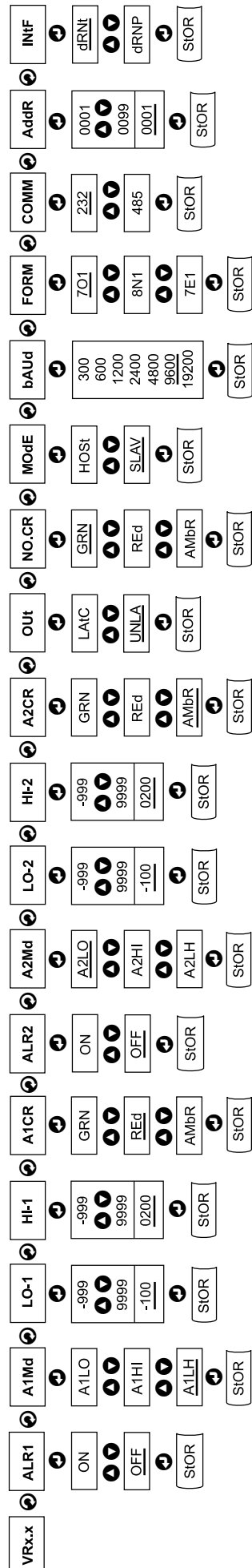


Below is a flowchart showing how to navigate through all menus by pressing front buttons.



DISPLAY ABBREVIATIONS

ALR1	Alarm 1 Status		
OFF	Alarm 1 set Off	ON	Alarm 1 set On
A1Md	Alarm 1 Mode		
A1LO	Alarm 1 Low	A1HI	Alarm 1 High
A1LH	Alarm 1 Low/High		
LO-1	Alarm 1 Low	-999..	Alarm 1 Low Value
		..9999	
HI-1	Alarm 1 High	-999..	Alarm 1 High Value
		..9999	
A1CR	Display color when Alarm 1 triggered		
GRN	Green Color	REd	Red Color
AMbR	Amber Color		
ALR2	Alarm 2 Status		
OFF	Alarm 2 set Off	ON	Alarm 2 set On
A2Md	Alarm 2 Mode		
A2LO	Alarm 2 Low	A2HI	Alarm 2 High
A2LH	Alarm 2 Low/High		
LO-2	Alarm 2 Low	-999..	Alarm 2 Low Value
		..9999	
HI-2	Alarm 2 High	-999..	Alarm 2 High Value
		..9999	
A2CR	Display color when Alarm 2 triggered		
GRN	Green Color	REd	Red Color
AMbR	Amber Color		
Out	Alarm Latched/Unlatched selection		
LAtC	Latched	UNLA	Unlatched
NO.CR	Display Color in Normal condition		
GRN	Green Color	REd	Red Color
AMbR	Amber Color		
MOdE	Data Flow Mode		
HOSt	Host Mode	SLAV	Slave Mode
bAUd	Baud Rate	300..	Baud Rate Value
		..19200	
FORM	Data Format		
7O1	7 Bit, Odd, 1 Stop Bit	7E1	7 Bit, Even, 1 Stop Bit
8N1	8 Bit, No parity, 1 Stop Bit		
COMM	Communication Standard		
232	RS-232 Standard	485	RS-485 Standard
AddR	Device Address	0000..	Address Value
		..0099	
INtF	Interface Device		
dRNt	DRN with Temperature Input	dRNp	DRN with Process Input
Miscellaneous:			
PEAK	Peak Value	VALL	Valley Value
PROC	Process Value	RUN	Run Mode
OVLd	Input Overload	StOR	Stored Message

Note

- In **Slave Mode** the Big Display will wait for commands and data from the Serial Bus.
- In **Host Mode** the Big Display will send data automatically and continuously into the Serial Bus.
- When used in **RS-485 Mode**, the device must be accessed with an appropriate **Address Value**.
- Latched Mode:** Alarm remains latched until reset. To reset already latched alarm select any menu items and then press "up" or "down" button.

SPECIFICATION

Temperature Stability:
50 ppm/°C

Display:
4-digit, 7-segment LED,
101.6mm (4.00") with red, green
and amber programmable colors.

Alarm:
Alarm 1 & 2 programmable,
Latch/Unlatch, High, Low,
High/Low

SERIAL INTERFACE

Communication Standard:
RS-485, RS-422 or RS-232

Transfer speed (Baud rate):
300, 600, 1200, 2400, 4800,
9600, 19200 bps

Data Format:
7O1-7 bit, Odd, 1 stop bit,
7E1- 7 bit, even, 1 stop bit
8N1 – 8 bit, No parity, 1 stop bit

Multi-Point Address (RS-485):
0 to 199

Flow Control:
No Flow control

Screw terminals for RS-232/485/422 interface

Power Supply:
100-240 Vac ±10%,
50/60 Hz, 22.5 W

Operating Temperature:
0 to 40°C

Storage Temperature:
-20 to 60°C

Relative Humidity:
0 to 85%

Protection:
NEMA-4x (IP65)

Dimensions:
480.0 L x 210.8 W x 95.4 D mm
(18.11" x 8.31" x 3.76")

Panel Cutout:
414.3 L x 179.4 W mm
(16.31" L x 7.06" W)

Weight:
2,495 g (5.5 lbs)

Approvals:
CE per EN61010-1:2001

WARNING: These products are not designed for use in, and should not be used for, patient-connected applications.

This device is marked with the international caution symbol. It is important to read the Setup Guide before installing or commissioning this device, as the guide contains important information relating to safety and EMC.

It is the policy of NEWPORT to comply with all worldwide safety and EMC/EMI regulations that apply. NEWPORT is constantly pursuing certification of its products to the European New Approach Directives. NEWPORT will add the CE mark to every appropriate device upon certification.

The information contained in this document is believed to be correct, but NEWPORT Electronics, Inc. accepts no liability for any errors it contains, and reserves the right to alter specifications without notice.

TRADEMARK NOTICE:
NEWPORT, NEWPORT, and newportUS.com are trademarks of NEWPORT Electronics, Inc.

WARRANTY/DISCLAIMER

NEWPORT Electronics, Inc. warrants this unit to be free of defects in materials and workmanship for a period of one (1) year from the date of purchase. In addition to NEWPORT's standard warranty period, NEWPORT Electronics will extend the warranty period for four (4) additional years if the warranty card enclosed with each instrument is returned to NEWPORT.

If the unit malfunctions, it must be returned to the factory for evaluation. NEWPORT's Customer Service Department will issue an Authorized Return (AR) number immediately upon phone or written request. Upon examination by NEWPORT, if the unit is found to be defective, it will be repaired or replaced at no charge. NEWPORT's WARRANTY does not apply to defects resulting from any action of the purchaser, including but not limited to mishandling, improper interfacing, operation outside of design limits, improper repair, or unauthorized modification. This WARRANTY is VOID if the unit shows evidence of having been tampered with or shows evidence of having been damaged as a result of excessive corrosion; or current, heat, moisture or vibration; improper specification; misapplication; misuse or other operating conditions outside of NEWPORT's control. Components which wear are not warranted, including but not limited to contact points, fuses, and triacs.

NEWPORT is pleased to offer suggestions on the use of its various products. However, NEWPORT neither assumes responsibility for any omissions or errors nor assumes liability for any damages that result from the use of its products in accordance with information provided by NEWPORT, either verbal or written. NEWPORT warrants only that the parts manufactured by it will be as specified and free of defects.

NEWPORT MAKES NO OTHER WARRANTIES OR REPRESENTATIONS OF ANY KIND WHATSOEVER, EXPRESS OR IMPLIED, EXCEPT THAT OF TITLE, AND ALL IMPLIED WARRANTIES INCLUDING ANY WARRANTY OF MERCHANTABILITY AND FITNESS FOR A PARTICULAR PURPOSE ARE HEREBY DISCLAIMED.

LIMITATION OF LIABILITY: The remedies of purchaser set forth herein are exclusive, and the total liability of NEWPORT with respect to this order, whether based on contract, warranty, negligence, indemnification, strict liability or otherwise, shall not exceed the purchase price of the component upon which liability is based. In no event shall NEWPORT be liable for consequential, incidental or special damages.

CONDITIONS: Equipment sold by NEWPORT is not intended to be used, nor shall it be used: (1) as a "Basic Component" under 10 CFR 21 (NRC), used in or with any nuclear installation or activity; or (2) in medical applications or used on humans. Should any Product(s) be used in or with any nuclear installation or activity, medical application, or used on humans, or misused in any way, NEWPORT assumes no responsibility as set forth in our basic WARRANTY/DISCLAIMER language, and, additionally purchaser will indemnify NEWPORT and hold NEWPORT harmless from any liability or damage whatsoever arising out of the use of the Product(s) in such a manner.

RETURN REQUEST/INQUIRIES

Direct all warranty and repair requests/inquiries to the NEWPORT Customer Service Department. BEFORE RETURNING ANY PRODUCT(S) TO NEWPORT, PURCHASER MUST OBTAIN AN AUTHORIZED RETURN (AR) NUMBER FROM NEWPORT'S CUSTOMER SERVICE DEPARTMENT (IN ORDER TO AVOID PROCESSING DELAYS). The assigned AR number should then be marked on the outside of the return package and on any correspondence.

The purchaser is responsible for shipping charges, freight, insurance and proper packaging to prevent breakage in transit.

FOR WARRANTY RETURNS, please consult NEWPORT for current repair BEFORE contacting NEWPORT:

- Purchase Order number under which the product was PURCHASED,
- Model and serial number of the product under warranty, and
- Repair instructions and/or specific problems relative to the product.

NEWPORT's policy is to make running changes, not model changes, whenever an improvement is possible. This affords our customers the latest in technology and engineering.

© Copyright 2005 NEWPORT Electronics, Inc. All rights reserved.

This document may not be copied, photocopied, reproduced, translated, or reduced to any electronic medium or machine-readable form, in whole or in part, without the prior written consent of NEWPORT Electronics, Inc.

PATENT NOTICE: This product is covered by one or more of the following patents: U.S. Pat. No. Des. 336,895; 5,274,577; 6,243,021/ Canada 2052599; 2052600/ Italy 1249456; 1250538/ France Brevet No. 91 12756/ Spain 2039150; 2048066/ UK Patent No. GB2 249 837; GB2 248 954/ Germany DE 41 34398 C2. is a Trademark of OMEGA ENGINEERING, INC. USED UNDER LICENSE. Other U.S. and International patents pending or applied for.

OPERATION MANUAL



iLD44-C2 Big Remote Display with RS-232 Input

Series

For immediate technical or application assistance please call:

1-800-6397678
1-800-NEWPORT

Newport Electronics, Inc.
2229 South Yale Street • Santa Ana, CA • 92704 • U.S.A.
TEL: (714) 540-4914 • FAX: (203) 968-7311
Toll Free: 1-800-639-7678 • www.newportUS.com • e-mail: info@newportUS.com
ISO 9001 Certified

Newport Technologies, Inc.
976 Bergar • Laval (Quebec) • H7L 5A1 • Canada
TEL: (514) 335-3183 • FAX: (514) 856-6886
Toll Free: 1-800-639-7678 • www.newport.ca • e-mail: info@newport.ca

Newport Electronics, Ltd.
One Omega Drive • River Bend Technology Centre
Northbank, Irlam • Manchester M44 5BD • United Kingdom
Tel: +44 161 777 6611 • FAX: +44 161 777 6622
Toll Free: 0800 488 488 • www.newportuk.co.uk • e-mail: sales@newportuk.co.uk

Newport Electronics B.V.
Postbus 8034 • 1180 LA Amstelveen • The Netherlands
TEL: +31 20 3472121 • FAX: +31 20 6434643
Toll Free: 0800 0993344 • www.newport.nl • e-mail: info@newport.nl

Newport Electronics spol s.r.o.
Frystatska 184, 733 01 Karviná • Czech Republic
TEL: +420 59 6311899 • FAX: +420 59 6311114
Toll Free: 0800-1-66342 • www.newport.cz • e-mail: info@newport.cz

Newport Electronics GmbH
Daimlerstrasse 26 • D-75392 Deckenpfronn • Germany
TEL: 49 7056 9398-0 • FAX: +49 7056 9398-29
Toll Free: 0800 / 6397678 • www.newport.de • e-mail: sales@newport.de

Newport Electronique S.A.R.L.
11, rue Jacques Cartier • 78280 Guyancourt • France
TEL: +33 1 61 37 29 00 • FAX: +33 1 30 57 54 27
Toll Free: 0800 466 342 • www.newport.fr • e-mail: sales@newport.fr

Mexico and Latin America
FAX: 001 (203) 359-7807
En Español: 001 (203) 359-7803

NEWPORTnet™ On-Line Service
www.newportUS.com

Internet e-mail
info@newportUS.com



DESCRIPTION:

The iLD44 is a 4-digit master/slave display providing remote readout from instruments such as programmable controllers, digital panel meters and other instruments with serial output. Communication interfaces supported are RS-232 or RS-485 standards. Both RS-232 or RS-485 are programmable through front panel buttons.

The Big Display features a large three color programmable display with the capability to change color every time an Alarm is triggered.

Note Refer to the separate Signal Conditioner Manual for your specific Input details.

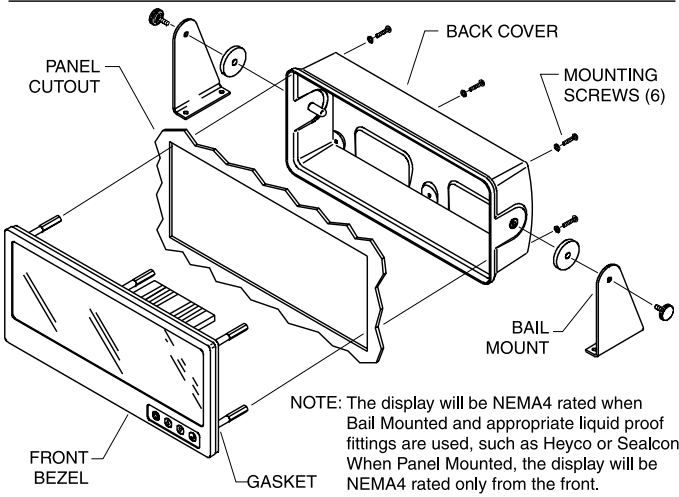
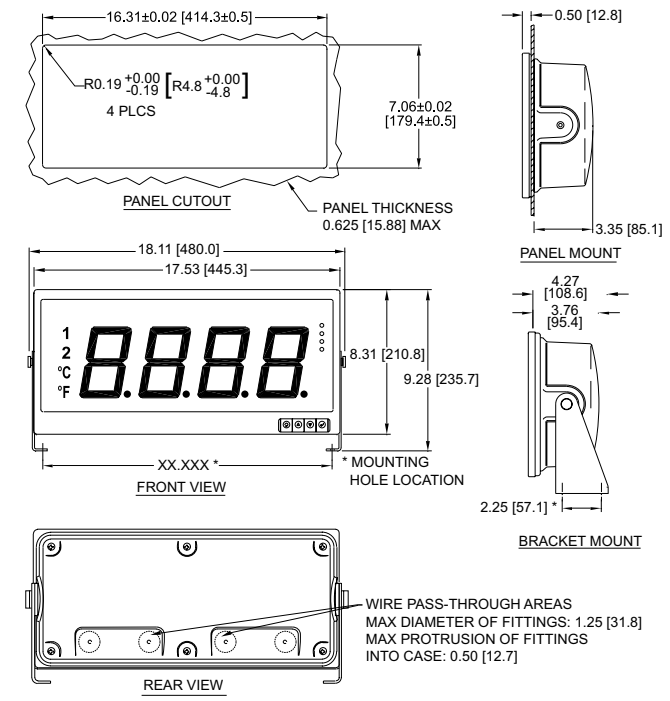
SAFETY:

- The instrument is a panel mount device protected in accordance with EN61010-1:2001.

EMC:

- Whenever EMC is an issue, always use shielded cables.
- Never run signal and power wires in the same conduit.
- Use signal wire connections with twisted-pair cables.
- Install Ferrite Bead(s) on signal wire close to the instrument if EMC problems persist.

MOUNTING



Mounting Big Display Through Panel:

- Using the panel cutout diagram shown above, cut an opening in the panel.
- Remove six screws at the back of Big Display to remove back cover.
- Insert the unit into the opening from the front of the panel, so the gasket seals between the bezel and the front of the panel.
- Align back cover to Big Display and reinstall screws.

Mounting Big Display on Bail:

- Mark the location of mounting screws on the flat surface.
- Be sure to leave enough room around the bail to allow for removal and rotation of the display.
- The display can be rotated for the best viewing angle.

Disassembly Instruction:

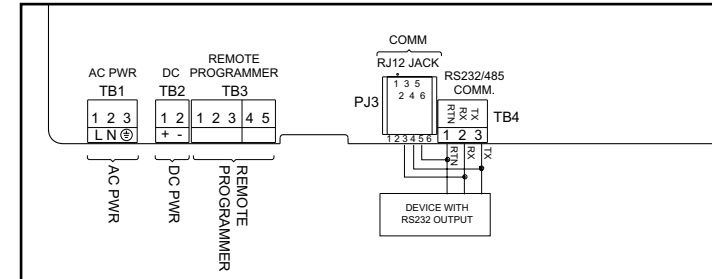
Warning: Disconnect all ac power from the unit before proceeding.

- Remove all wiring connections from the rear of the instrument, by unscrewing the power and input connectors.
- Remove six screws at the back of the display and back cover.
- Remove the Big Display from the panel.
- To remove the Big Display from the bail, unscrew the two knobs at each end of the mounting brackets.

WIRING

1. Wiring RS-232 Interface.

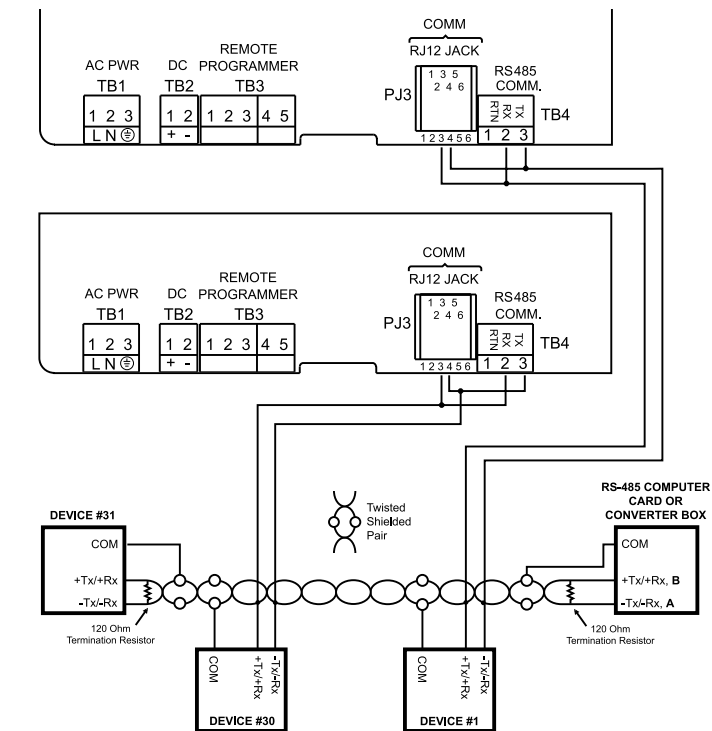
The RS-232 standard (point-to-point) allows a single device to be connected to the Big Display using a three-wire connection (full duplex).



Device with RS-232 Pin Function	Large Remote Display	
	RJ-12	Screw Terminal
Receive (Rx)	4 (Tx)	3 (Tx)
Transmit (Tx)	3 (Rx)	2 (Rx)
Common Ground (COM)	5	1

2. Wiring RS-485 Interface.

The RS-485 standard (multipoint) allows a computer, one or more devices and Big Displays (up to 32) to be connected using a two-wire connection (half-duplex) plus a common wire to connect to the shield of the cable. It is recommended to use shielded cable with one twisted pair for EMI noise protection.

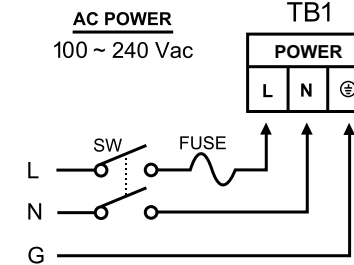


Note Connections to the computer are optional.

Computer Card or Converter Box Pin Function	Device with RS-485 Pin Function	Remote Display	
		RJ-12	Screw Terminal
A, -Tx/-Rx	-Tx/-Rx	4	3
B, +Tx/+Rx	+Tx/+Rx	3	2
COM	COM		1

3. Power Connection.

Connect the main power connections as shown in the figure below.



OPERATIONS

1. Peak Value (Display in Host Mode)

Press **▲** to request "Peak" value:

- RS-232 Mode, will send: *X02 (Interface DRNT), or *X03 (Interface DRNP)
- RS-485 Mode, will send: *01X02 (Interface DRNT), or *01X03 (Interface DRNP)

Note In the examples for RS-485 it is assumed that the device address is 01.

2. Valley Value (Display on Host Mode)

Press **▼** to request "Valley" value.

- RS-232 Mode, will send: *X03 (Interface DRNT), or *X04 (Interface DRNP)
- RS-485 Mode, will send: *01X03 (Interface DRNT), or *01X04 (Interface DRNP)

3. Process Value (Display on Host Mode)

Press **▶** to request "Process" Value.

- RS-232 Mode, will send: *X01
- RS-485 Mode, will send: *01X01

4. Write alphanumeric characters to the Big Display from the computer (Display in Slave Mode)

- Single Big Display: (RS232) write 4 characters, then CR (carriage return)
- Multiple Big Display: (RS485) write *, device address (2 digit), CR, 4 characters, then CR

5. Display Color Setup (Alarm Setup)

This menu allows the user to select the color of the display in normal conditions and when alarm is triggered. If user wants the Display to change color every time when both Alarm 1 and Alarm 2 are triggered, the Alarm values should be set in such a way that Alarm 1 is always on the top of Alarm 2 value, otherwise value of the Alarm 1 will overwrite value of Alarm 2 and Display color would not change when Alarm 2 is triggered.

Example 1:

Alarm 1 setup: "ON", Alarm Mode High "A1HI", Alarm High Value "HI-1"=400, Alarm Color "A1CR"=Amber
Alarm 2 setup: "ON", Alarm Mode High "A2HI", Alarm High Value "HI-2"=200, Alarm Color "A2CR"=Red
Normal Color: "NO.CR"=Green

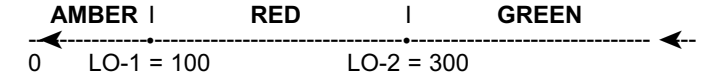
Display colors change sequences:



Example 2:

Alarm 1 setup: "ON", Alarm Mode Low "A1LO", Alarm Low Value "LO-1"=100, Alarm Color "A1CR"=Amber
Alarm 2 setup: "ON", Alarm Mode LO "A2LO", Alarm High Value "LO-2"=300, Alarm Color "A2CR"=Red
Normal Color: "NO.CR"=Green

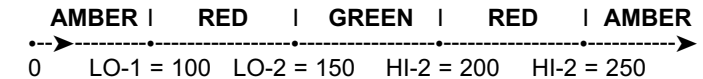
Display colors change sequences:



Example 3:

Alarm 1 setup: "ON", Alarm Mode Low/High "A1LH", Alarm Low Value "LO-1"=100, Alarm High Value "HI-1"=250, Alarm Color "A1CR"=Amber
Alarm 2 setup: "ON", Alarm Mode Low/High "A2LH", Alarm Low Value "LO-2"=150, Alarm High value "HI-2"=200, Alarm Color "A2CR"=Red
Normal Color: "NO.CR"=Green

Display colors change sequences:



CONFIGURATION

Button Functions in Configuration Mode

⌂ (MENU)	<ul style="list-style-type: none"> To enter the Menu, the user must first press ▶ button. Use this button to advance/navigate to the next menu item. The user can navigate through all the top level menus by pressing ⌂. While a parameter is being modified, press ⌂ to escape without saving the parameter.
▲ (UP)	<ul style="list-style-type: none"> Press the up ▲ button to scroll through submenu selections. When a numerical value is displayed press this key to increase value of a parameter that is currently being modified. In the Run Mode pressing ▲ causes the display to flash the PEAK value several times before returning to the Run Mode. In the top menu press ▲ causes the display to return to the Run Mode.
▼ (DOWN)	<ul style="list-style-type: none"> Press the down ▼ button to scroll through submenu selections. When a numerical value is displayed press this key to decrease value of a parameter that is currently being modified. In the Run Mode press ▼ causes the display to flash the Valley value several times before returning to the Run Mode. In the top menu press ▼ causes the display to return to the Run Mode.
⏎ (ENTER)	<ul style="list-style-type: none"> Press this button to access the submenus from a Top Level Menu item. Press this button to store a submenu selection or after entering a value – the display will flash a SE-OR message to confirm your selection.

Note x, w, z, and some punctuations are non-printable characters.