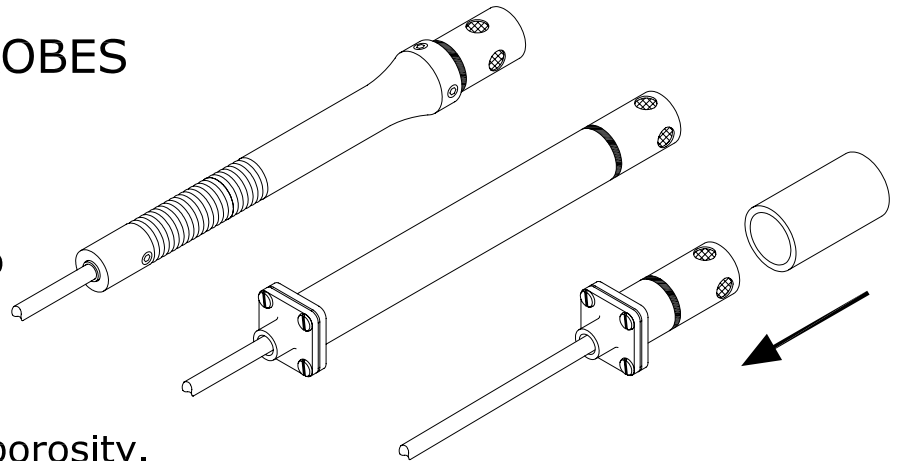


IP-PCI

FOR INDUSTRIAL PROBES

Porous Polyethylene Probe Cap

Made from UHMWPE
(Ultra-High-Molecular-Weight
Polyethylene) with 20 micron porosity.



This porous polyethylene cap is an optional accessory for outdoor applications and harsh environments.

The cap was engineered to protect the humidity sensor from damage and contamination by dust and other particulates as well as liquids such as rain drops.

Water vapor suspended in air passes through the 20 um pores, while drops of water, other liquids and particles do not. The sensor's response to changes in temperature and humidity is delayed by only a few seconds.

In extremely low humidity, the polyethylene cap also provides an extra layer of protection from ESD (Electrostatic Discharge). Nevertheless, the stainless steel probe is grounded and already exceeds all standards for ESD protection.

The polyethylene cap fits over the SS probe cap. Do NOT unscrew and remove the stainless steel probe cap.

The polyethylene cap is sized to provide a very tight fit over the stainless steel cap.

If you need to remove the polyethylene cap, BE CAREFUL not to pull the probe apart. Instead of trying to pull the polyethylene cap off, slice the cap with a sharp blade and peel or break it apart.

For applications where the cap is filtering out fine particulates, replacement polyethylene caps are available in packs of ten.

ORDER PART NO: IP-PCI-10P (10 polyethylene probes caps per pack)